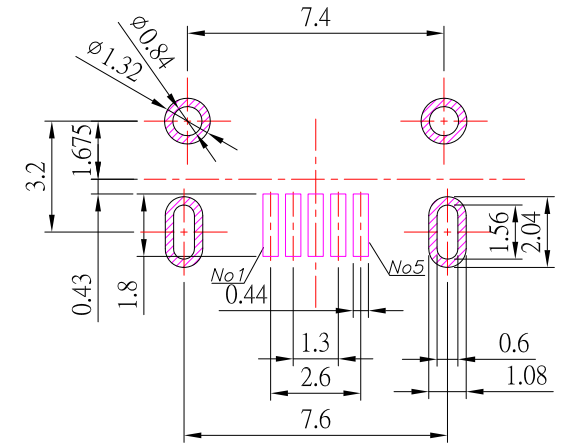
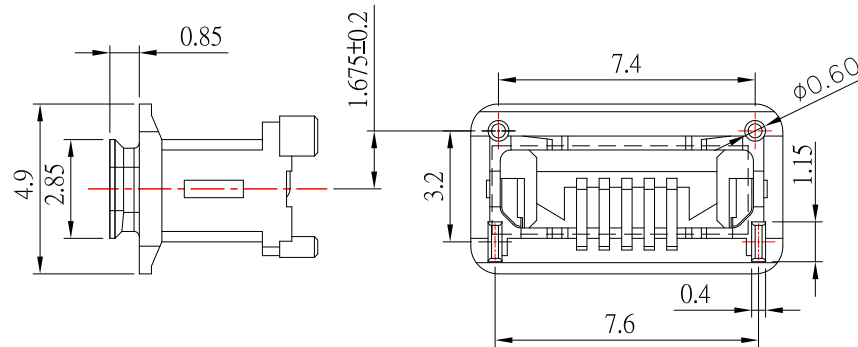
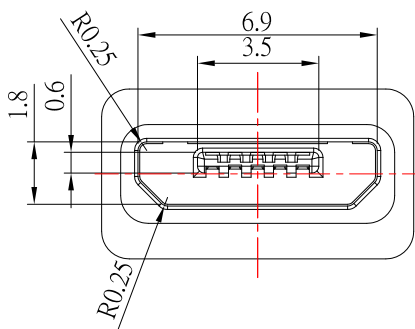


MRUSB-5B-WP9VA-x-S382

鍍層厚度:

|       |        |
|-------|--------|
| Blank | : 1u"  |
| 2     | : 15u" |
| 3     | : 30u" |

IPX7



P.C.B LAYOUT MOUNTING PATTERN

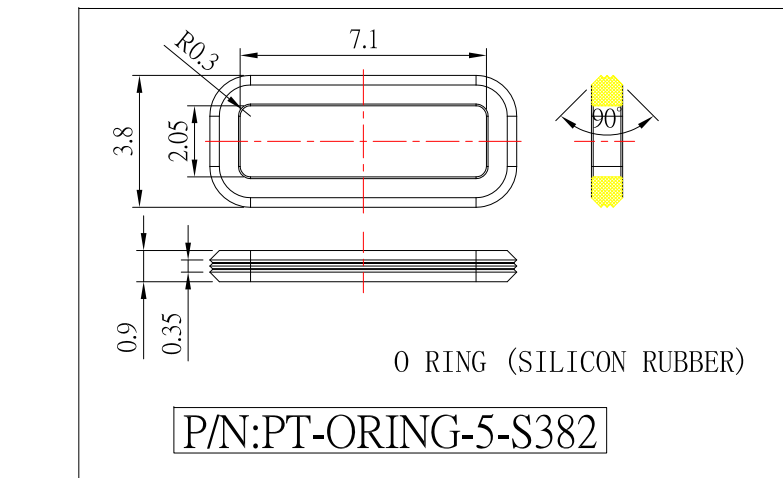
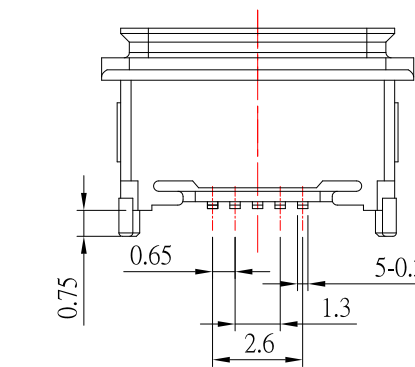
NOTES:

MATERIAL:

- 1.1 HOUSING: HIGH-TEMP
- 1.2 CONTACT: COPPER ALLOY
- 1.3 SHELL: SUS

FINISH:

- 2.1 CONTACT: PLATED GOLD IN MATING AREA ;  
GOLD PLATED ON SOLDER BALLS ;  
NICKEL UNDER PLATED OVERALL
  - 2.2 SHELL: NICKEL UNDER PLATED SURFACE LAYER
- 3.SPECIFICATION:
- 3.1 RATING: 1.8 A(PIN1,5) ; 1.0A (PIN2,3,4) , 30VAC
  - 3.2 DIELECTRIC WITHSSTANDING VOLTAGE: 100 VAC
  - 3.3 CONTACT RESISTANCE: 30 mΩ MAX.
  - 3.4 INSULATION RESISTANCE: 1000 MΩ MIN.



O RING (SILICON RUBBER)

P/N:PT-ORING-5-S382

|          |                |       |        |
|----------|----------------|-------|--------|
| 9        | 更新料號           | Jack  | 102720 |
| 8        | 更新樣式及尺寸        | Jack  | 092820 |
| 7        | 更新圖面           | Jack  | 111119 |
| 6        | 更新Rating       | Jack  | 042319 |
| 5        | 新增ORING料號      | Jack  | 032819 |
| 4        | 更新樣式           | Jack  | 121218 |
| 3        | 更新PCB LAYOUT尺寸 | Jack  | 061318 |
| 2        | 更新尺寸           | Jack  | 061218 |
| 1        | 更新圖面           | Jack  | 052318 |
| ITEM NO. | DESCRIPTION    | DRAWN | DATE   |

**CONTACT** 建倚科技股份有限公司  
**CONTACT TECHNOLOGY CORP.**

TOLERANCE UNLESS OTHERWISE STATED:

|               |       |
|---------------|-------|
| Up to 5       | ±0.2  |
| Above 5 ~ 15  | ±0.3  |
| Above 15 ~ 30 | ±0.4  |
| Above 30 ~ 50 | ±0.5  |
| Angle         | ±0.3° |

3RD. ANGEL'S



UNITS

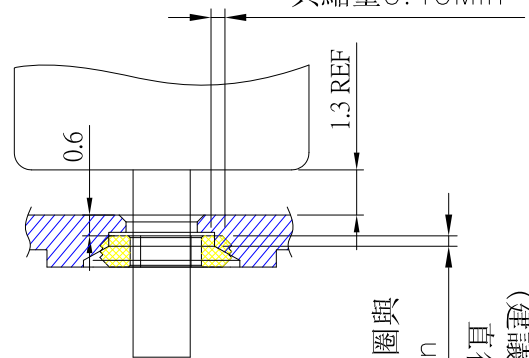
MM

|              |          |           |                       |   |
|--------------|----------|-----------|-----------------------|---|
| DRAWN BY:    | DATE     | MAT'L     | TITLE                 | CONNECTOR   |
| Jack Lu      | 10/27/20 |           | MODLE                 | MICRO USB 5PF B TYPE 直立式<br>防水型 IPX7 (外殼腳1.15 X 0.4 X 0.75) |
| CHECKED BY:  | DATE     | FINISH    | DWG NO.               | SIZE  |
| Jacky Chen   | 10/27/20 |           | MRUSB-5B-WP9VA-x-S382 | A4  |
| APPROVED BY: | DATE     | SCALE     | PART NO.              | VER   |
| Tony Kao     | 10/27/20 | 1 : 1     | MRUSB-5B-WP9VA-x-S382 | R9  |
|              |          | SHEET NO. |                       |   |
|              |          | 1 of 2    |                       |   |

# IPX7

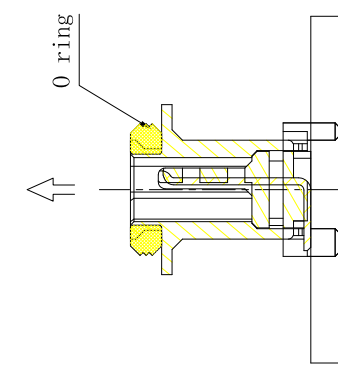
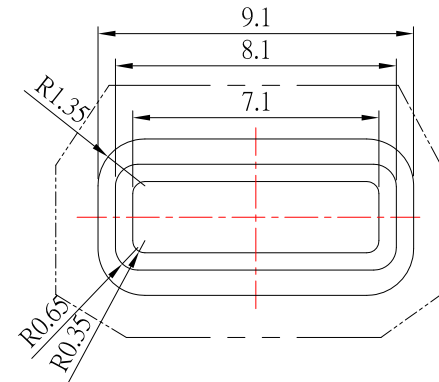
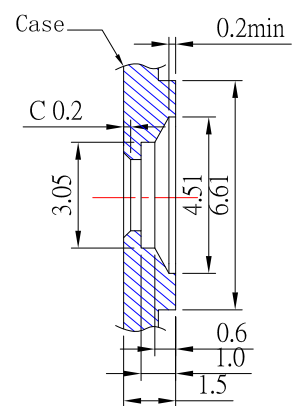
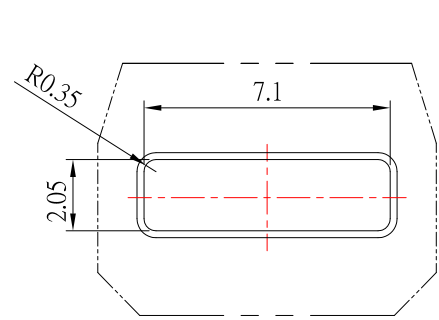


機殼面板對密封圈  
與縮量0.40Min



COMPRESSION RATIO TO BE 40%-50%

機殼面板對密封圈與  
縮量0.30Min  
(建議壓縮量為密封圈  
直徑大小40-50%)



RECOMMENDED OPEN DIMENSION OF CASE

|          |                |       |        |
|----------|----------------|-------|--------|
| 9        | 更新料號           | Jack  | 102720 |
| 8        | 更新樣式及尺寸        | Jack  | 092820 |
| 7        | 更新圖面           | Jack  | 111119 |
| 6        | 更新Rating       | Jack  | 042319 |
| 5        | 新增ORING料號      | Jack  | 032819 |
| 4        | 更新樣式           | Jack  | 121218 |
| 3        | 更新PCB LAYOUT尺寸 | Jack  | 061318 |
| 2        | 更新尺寸           | Jack  | 061218 |
| 1        | 更新圖面           | Jack  | 052318 |
| ITEM NO. | DESCRIPTION    | DRAWN | DATE   |

**CONTACT** 建倚科技股份有限公司  
**CONTACT TECHNOLOGY CORP.**

|                                    |              |                   |                    |                    |             |
|------------------------------------|--------------|-------------------|--------------------|--------------------|-------------|
| TOLERANCE UNLESS OTHERWISE STATED: | Up to 5 ±0.2 | Above 5 ~ 15 ±0.3 | Above 15 ~ 30 ±0.4 | Above 30 ~ 50 ±0.5 | Angle ±0.3° |
|                                    | 3RD. ANGEL'S | UNITS             | MM                 |                    |             |

|              |          |           |          |                                 |
|--------------|----------|-----------|----------|---------------------------------|
| DRAWN BY:    | DATE     | MAT'L     | TITLE    | CONNECTOR                       |
| Jack Lu      | 10/27/20 |           | MODLE    | MICRO USB 5P B TYPE 直立式         |
| CHECKED BY:  | DATE     | FINISH    | DWG NO.  | 防水型 IPX7 (外殼腳1.15 X 0.4 X 0.75) |
| Jacky Chen   | 10/27/20 |           | SCALE    | 1 : 1                           |
| APPROVED BY: | DATE     | SHEET NO. | PART NO. | MRUSB-5B-WP9V-x-S382            |
| Tony Kao     | 10/27/20 | 1 of 2    |          |                                 |